



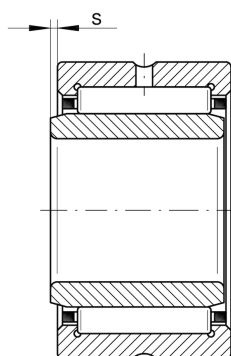
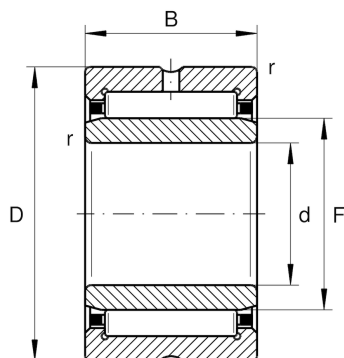
NKIS30

Needle roller bearing

Schaeffler ID:
0007011810000

Needle roller bearing NKIS, single row,
with inner ring, outer ring with 2 bords

Technical information



Main Dimensions & Performance Data

d	30 mm	Bore diameter
D	52 mm	Outside diameter
B	22 mm	Width
C_r	36,500 N	Basic dynamic load rating, radial
C_{0r}	50,000 N	Basic static load rating, radial
C_{ur}	7,000 N	Fatigue load limit, radial
n_G	11,700 1/min	Limiting speed
n_{gr}	6,400 1/min	Reference speed
	189 g	Weight

Dimensions

F	37 mm	Raceway diameter inner ring
r_{min}	0.6 mm	Minimum chamfer dimension
s	1 mm	Axial displacement

Temperature range

T_{min}	-30 °C	Operating temperature min.
T_{max}	120 °C	Operating temperature max.